

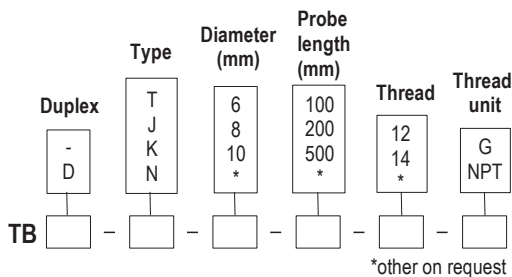


## Thermocouple sensor with standard connection head and ambient tip

### TBAJ K

- Thermocouple types T, J, K and N.
- Measuring range from **0°C to +400°C**
- With or without compression fitting

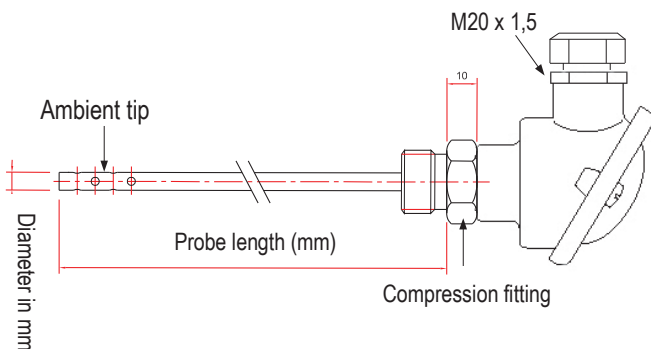
#### Part numbers



Example : TBD-T-6-100-12-G

Model : Thermocouple T in a sheath of 6 mm Ø and 100 mm length with a ½G compression fitting. Wire multipair mounting.

#### Dimensions



#### Transmitter features

- Operating temperature**.....For *TBK* type  
from 0°C to +350°C for Tc T  
from 0°C to +400°C for J, K and N
- Accuracy\* for class 1**.....See "Tolerances" table
- Welding type**.....Ungrounded hot junction.  
Singlepair or 2x2 multipair.
- Sheath**.....316 L stainless steel. Ambient end of 20 mm.  
6 or 8 mm Ø or other on request
- Compression fitting**.....316 L stainless steel
- Thread**.....With or without ½ , ¼,  
Gaz or NPT plug
- Electrical connection**.....with or without terminal block  
transmitter 4/20mA 0/10V as option
- Connection head**.....Aluminium alloy  
cable gland : M20 x 1.5  
IP65 protection
- Storage temperature**.....from 0°C to +80°C

#### Tolerances\* of the probe

As per IEC 584-3 norm

TC	Measuring range CLASS 1	TOLERANCE
T	From -40°C to +350°C	From -40°C to +125°C ± 0.5°C From 125°C to +350°C ± 0.004 x T°
J	From -40°C to +750°C	From -40°C to +375°C ± 1.5°C From 375°C to 750°C ± 0.004 x T°
K	From -40°C to +1000°C	From -40°C to +375°C ± 1.5°C From 375°C to 1000°C ± 0.004 x T°
N	From -40°C to +1000°C	From -40°C to +375°C ± 1.5°C From 375°C to 1000°C ± 0.004 x T°

\* Performed in laboratory conditions, the above accuracies mentioned in this document will be guaranteed, provided that you use the calibration compensation data or identical calibration conditions.

## ■ Most common thermocouple types

THERMOCOUPLE TYPES	+ CONDUCTOR	- CONDUCTOR	COLOR OF COMPENSATING CABLE
K	Chromel	Alumel	Ext. color + = GREEN, - = WHITE
T	Copper	Constantan	Ext. color + = BROWN, - = WHITE
J	Iron	Constantan	Ext. color + = BLACK, - = WHITE
N	Nicrosil	Nisil	Ext. color + = PINK, - = WHITE
R	Platinum-13% Rhodium	Platinum	Ext. color + = ORANGE, - = WHITE
S	Platinum-10% Rhodium	Platinum	Ext. color + = ORANGE, - = WHITE
B	Platinum-30%Rhodium	Platinum- 6%Rhodium	Ext. color + = GREY, - = WHITE

## ■ Accessories (See Datasheet)

- Extension cable
- Compensating cable
- Standard or miniature connector
- Cable seal for plug and socket connector



- Miniature or standard fixed connector
- Miniature or standard connectors panel
- Extension lead
- Converters



[www.kimo.fr](http://www.kimo.fr)



**EXPORT DEPARTMENT**

Tel : + 33. 1. 60. 06. 69. 25 - Fax : + 33. 1. 60. 06. 69. 29

e-mail : [export@kimo.fr](mailto:export@kimo.fr)

Distributed by :

**PRC Technologies Corp., Ltd.**

Tel: 02 530 1714, 02 530 1619, 02 530 1621

Fax: 02 530 1731

Email: [info@prtechth.com](mailto:info@prtechth.com), [www.prtechth.com](http://www.prtechth.com)