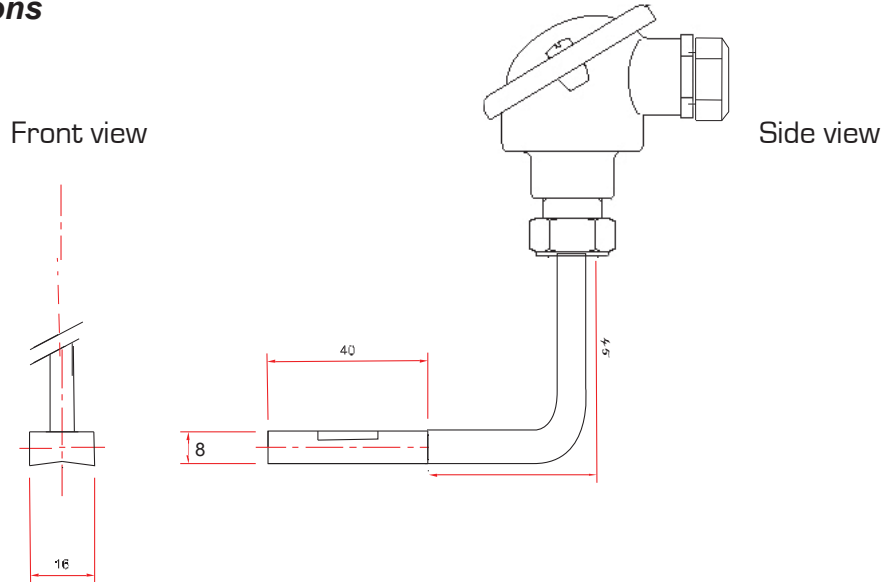


TBCT 50 & TBCTD 50

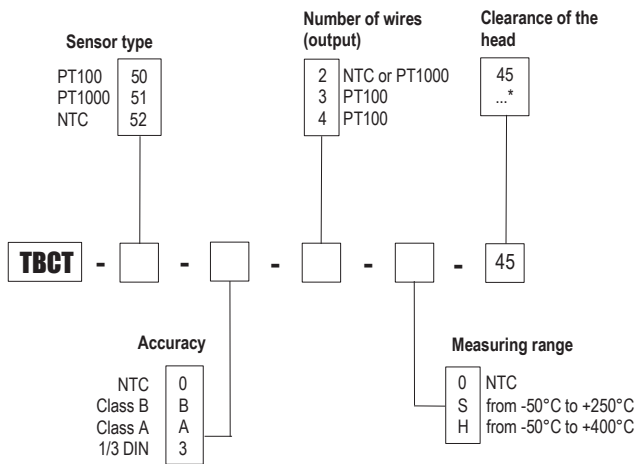
Temperature sensor with standard head and with contact for duct

Probe dimensions

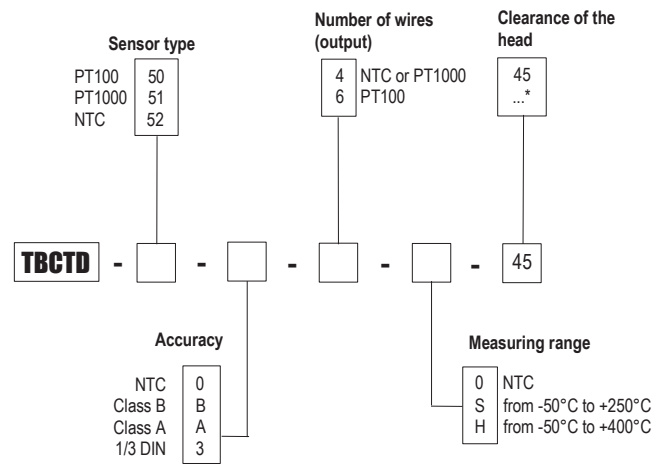


Références

• Single pair sensor – Ref. TBCT 50



• Multipair sensor – Ref. TBCTD 50



Example : TBCT51-B-2-S-45

Model : PT1000 temperature sensor Class B, 2 wires, clearance of the head at 45°. Measuring range from -50 à +250°C.

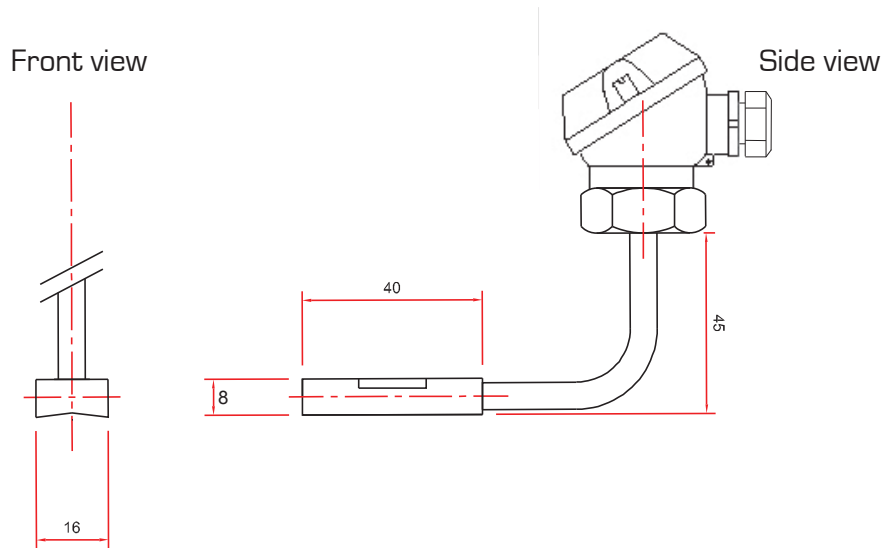
Example : TBCTD51-B-4-S-45

Model : PT1000 temperature sensor Class B, 4 wires, clearance of the head at 45°. Measuring range from -50 à +250°C.

TMCT 50 & TMCTD 50

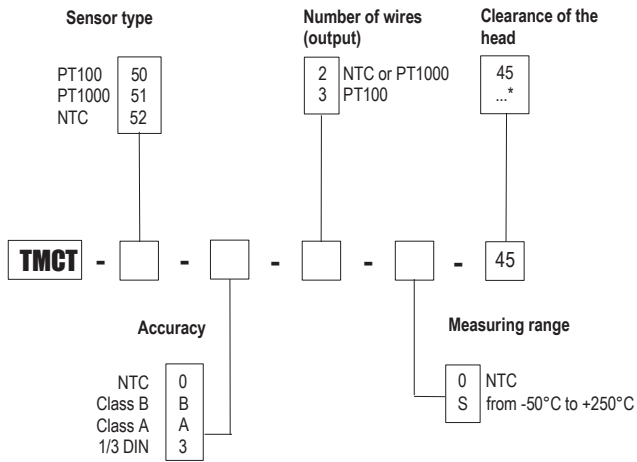
Temperature sensor with miniature head and with contact for duct

■ Dimensions probe



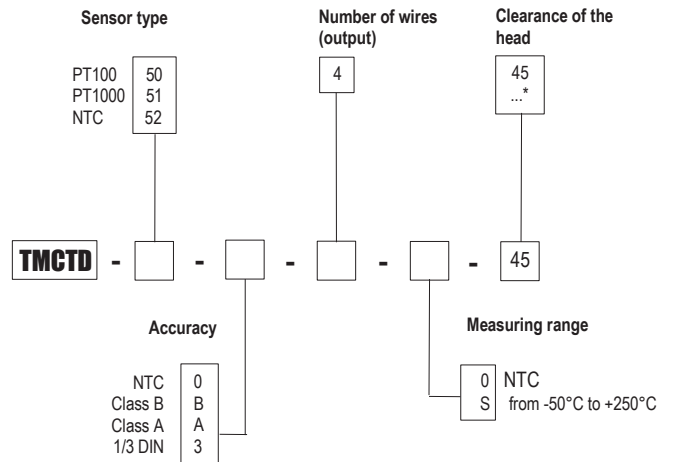
■ Part numbers

• Single pair sensor – Ref. **TMCT 50**



* Other on request

• Multipair sensor – Ref. **TMCTD 50**



* Other on request

Example : **TMCT51-B-2-S-45**

Model : PT1000 temperature sensor Class B, 2 wires, clearance of the head at 45°.
Measuring range from -50 à +250°C.

Example : **TMCTD51-B-4-S-45**

Model : PT1000 temperature sensor Class B, 4 wires, clearance of the head at 45°.
Measuring range from -50 à +250°C.

