

*Temperature sensor
with head for contact duct*

**TBCT K / TBCTD K
TMCT K / TMCTD K**



Supplied with securing band for DN 100 duct

■ **General features**

- Thermocouple types T, J, K and N.
- Measuring range **from -40°C to +400°C**
- Mounting with base for all diameter pipes.

■ **Technical features**

Working temperature	from -40°C to +350°C for Tc T from -40°C to +400°C for J, K et N
Accuracy* for class 1	See "Tolerances" table
Mounting of welding	Insulated or to earth hot welding Single pair or 2x2 wires multipair mounting
Duct base	40 x 16 x 8,5 mm V-section Fixing by needle screw AU4G material (aluminium)
Fitting	supplied with a stainless steel collar for DN 100 Other collar on request
Electrical connection	with or without terminal block transmitter 4/20 mA as option
Connection head	Aluminium alloy Cable gland : M20 x 1,5 IP protection
Height of clearance	45 mm
Storage temperature	from -20°C to +80°C

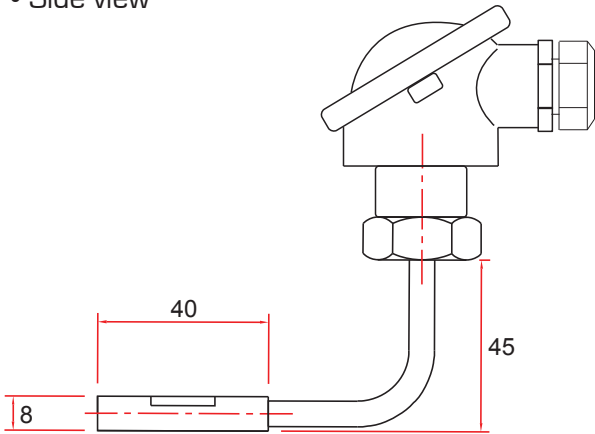
* Performed in laboratory conditions, the above accuracies mentioned in this document will be guaranteed, provided that you use the calibration compensation data or identical calibration conditions.

TBCT K & TBCTD K

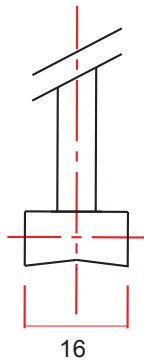
Temperature sensor with **standard** head and contact for pipes

■ Dimensions

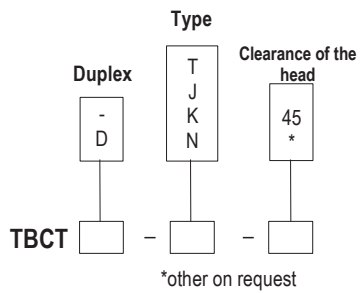
- Side view



- Front view



■ Part numbers



Example : TBCTD-T-45

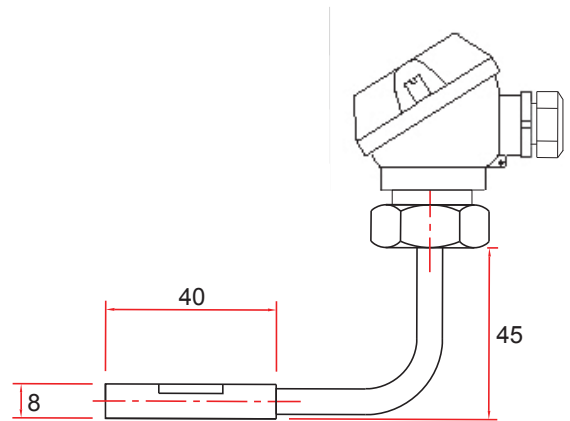
Model : Thermocouple sensor type T, clearance of the head at 45°. Mounting of wires in multipair.

TMCT K & TMCTD K

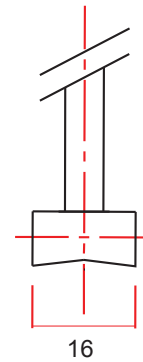
Temperature sensor with **miniature** head and contact for pipes

■ Dimensions

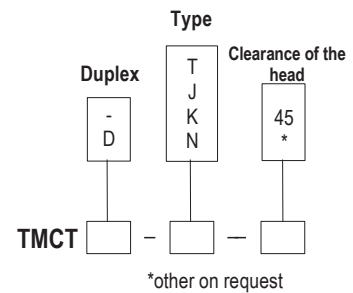
- Side view



- Front view



■ Part numbers



Example : TMCT-T-45

Model : Thermocouple sensor type T, clearance of the head at 45°.

Tolerances* of the probe

As per IEC 584-3 norm

TC	MEASURING RANGE CLASS 1	TOLERANCE
T	From -40°C to +350°C	From -40°C to +125°C $\pm 0.5^\circ\text{C}$ From 125°C to +350°C $\pm 0.004 \times T^\circ\text{abs}$
J	From -40°C to +750°C	From -40°C to +375°C $\pm 1.5^\circ\text{C}$ From 375°C to 750°C $\pm 0.004 \times T^\circ\text{abs}$
K	From -40°C to +1000°C	From -40°C to +375°C $\pm 1.5^\circ\text{C}$ From 375°C to 1000°C $\pm 0.004 \times T^\circ\text{abs}$
N	From -40°C to +1000°C	From -40°C to +375°C $\pm 1.5^\circ\text{C}$ From 375°C to 1000°C $\pm 0.004 \times T^\circ\text{abs}$

* Performed in laboratory conditions, the above accuracies mentioned in this document will be guaranteed, provided that you use the calibration compensation data or identical calibration conditions.

Most common thermocouple types

THERMOCOUPLE TYPE	+ CONDUCTOR	- CONDUCTOR	COLOR OF COMPENSATING CABLE
K	Nickel-Chrome 10%	Nickel-Aluminium 5% -Silicium	Ext. color + = GREEN, - = WHITE
T	Copper	Copper-Nickel	Ext. color + = BROWN, - = WHITE
J	Iron	Copper-Nickel	Ext. color + = BLACK, - = WHITE
N	Nickel 84,4% Chromium 14,2% Silicium 1,4%	Nickel 95,6% Silicium 4,4%	Ext. color + = PINK, - = WHITE
R	Platinum-Rhodium 13%	Platinum	Ext. color + = ORANGE, - = WHITE
S	Platinum-Rhodium 10%	Platinum	Ext. color + = ORANGE, - = WHITE
B	Platinum-Rhodium 30%	Platinum-Rhodium 6%	Ext. color + = GREY, - = WHITE

Accessories (See data sheet)

- Extension cable
- Compensating cable
- Standard or miniature connector
- Cable seal for plug and socket connector



- Miniature or standard fixed connector
- Miniature or standard connectors panel
- Extension lead
- Converters



www.kimo.fr



EXPORT DEPARTMENT

Tel : + 33. 1. 60. 06. 69. 25 - Fax : + 33. 1. 60. 06. 69. 29

e-mail : export@kimo.fr

Distributed by :

PRC Technologies Corp., Ltd.

Tel: 02 530 1714, 02 530 1619, 02 530 1621

Fax: 02 530 1731

Email: info@prctechth.com, www.prctechth.com