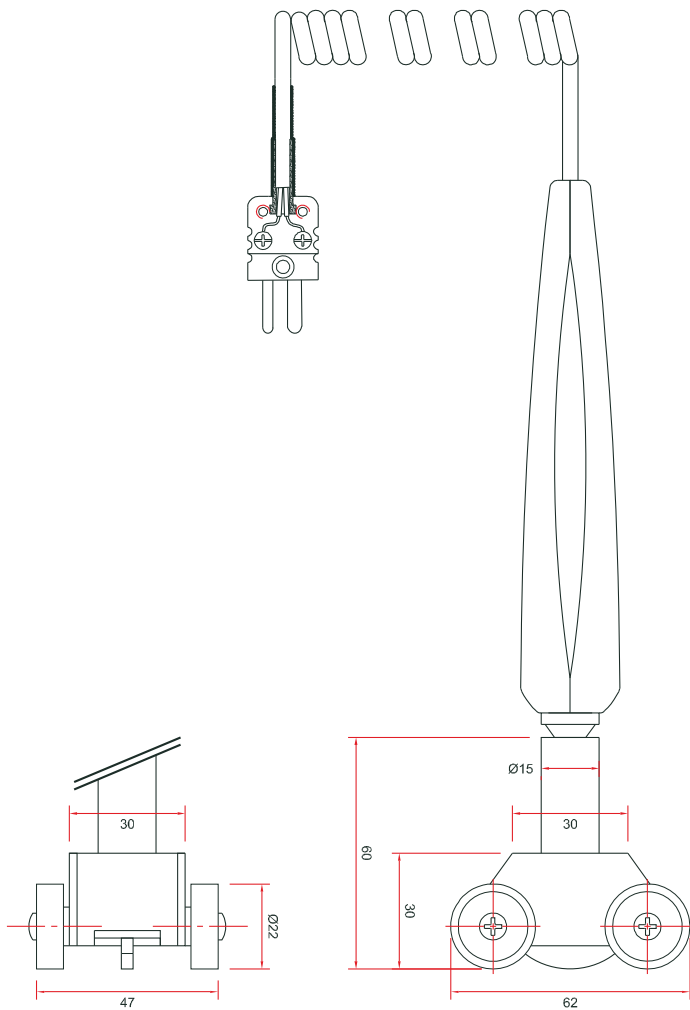


K thermocouple temperature sensor for measurement of surface with moving parts

SFCSM K

■ **Dimensions**



■ **Probe features**

- Thermocouple type K.
- Measuring range from **-40°C to +500°C**
- Response time very fast.

■ **Technical features**

- Working temperature**.....from -40°C to +500°C (only for the trolley)
- Accuracy* for class 1**.....See "Tolerances" table
- Mounting of welding**.....Insulated hot welding in standard
- Storage temperature**.....from -20°C to +80°C
- Handle**.....ABS, 141 mm length, from -40 °C to +85 °C
- Output**by PVC coiled cable , 200 mm length
1800 mm length stretched
Temperature maxi 105 °C
Male miniature connector (in standard)

■ **Tolerances* of the probe**

As per IEC 584-3 norm

TC	MEASURING RANGE CLASS 1	TOLERANCE
K	From -40 °C to +500 °C	From -40°C to +375°C ± 1.5°C From 375°C to 500°C ± 0.004 x T°abs

* Performed in laboratory conditions, the above accuracies mentioned in this document will be guaranteed, provided that you use the calibration compensation data or identical calibration conditions.

www.kimo.fr



EXPORT DEPARTMENT
Tel : + 33. 1. 60. 06. 69. 25 - Fax : + 33. 1. 60. 06. 69. 29
e-mail : export@kimo.fr

Distributed by :

PRC Technologies Corp., Ltd.

Tel: 02 530 1714, 02 530 1619, 02 530 1621

Fax: 02 530 1731

Email: info@prctechth.com, www.prctechth.com