

+550°C

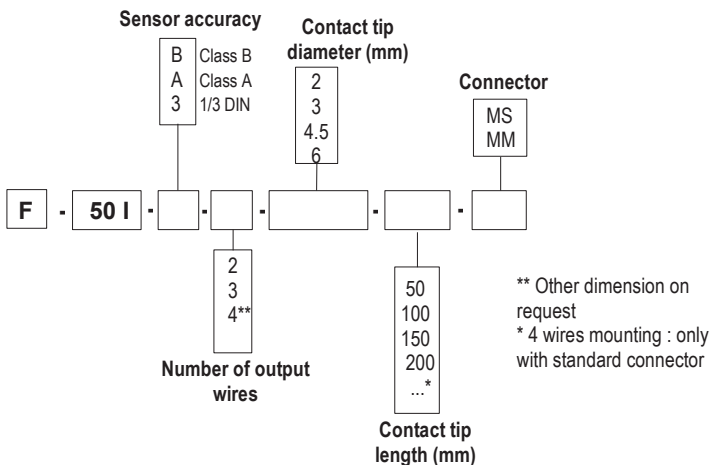


*Temperature probe  
at resistive element with collapsible  
contact tip and output on  
Din connector*

## F 50 I – FD 50 I

### Part numbers

#### • F 50 I

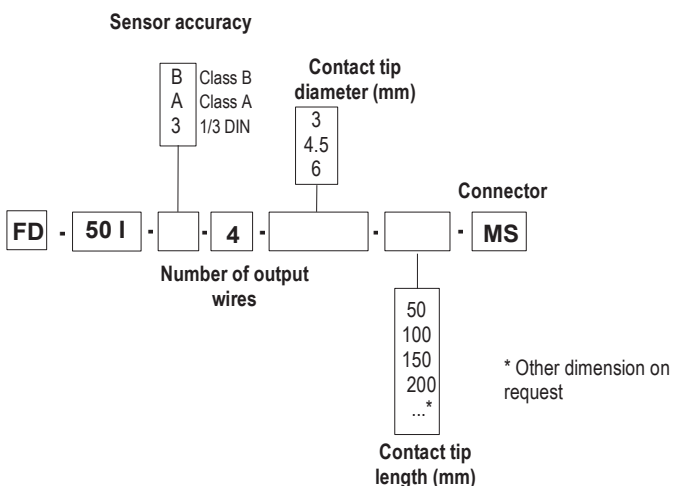


Example : F50I-B-2-3-500-MM

Model : Temperature sensor class B, 2 wires, contact tip of 3 mm of diameter and 500 mm of length with connector type MM.

Measuring range : from -50 to + 550 °C

#### • FD 50 I



Example : FD50I-B-4-3-500-MS

Model : Temperature sensor class B, 4 wires, contact tip of 3mm of diameter and 500 mm of length with connector type MS.

Measuring range : from -50 to + 550 °C

### Probe features

- Temperature sensor mounted on male connector
- Measuring range from -50°C to +550°C
- Collapsible contact tip

### Technical features

Operating temperature.....from -50°C to +550°C

Accuracy.....See "Tolerances" table

Sensor type.....PT100 or PT1000 : Class B, Class A, 1/3 DIN as per DIN IEC751

Storage temperature.....from -20°C to +80°C

Contact tip.....lined collapsible (semi-rigid)

Stainless steel 316 L without welding



Non-collapsible zone on 25 mm at the end of the contact tip

Mounting.....2, 3 or 4 wires for F 50 I

4 wires for FD 50 I



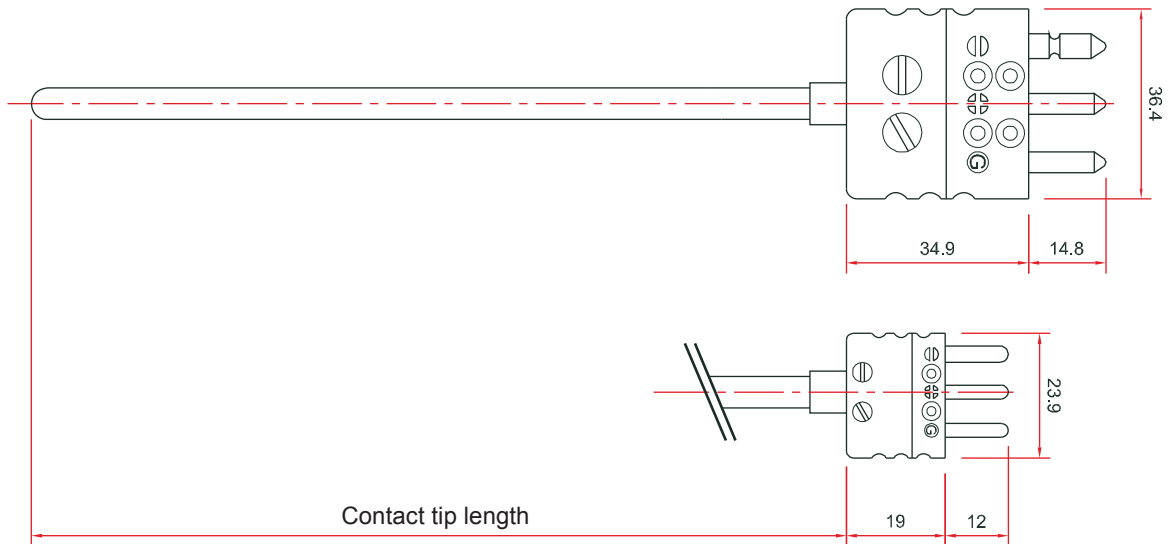
4 wires mounting only with a standard connector

Connector.....miniature 2 and 3 copper flat pins

standard 2, 3 and 4 copper round pins

Temperature max. : 200 °C

## ■ Dimensions



## ■ Tolerances\* of Pt100 and Pt1000 probes

As per IEC 751 (1993), BS 1904 (1984) and DIN 43760 (1980) norms.

| Temp °C | Tolerances |        |         |        |         |        |
|---------|------------|--------|---------|--------|---------|--------|
|         | Class B    |        | Class A |        | 1/3 DIN |        |
|         | ± °C       | ± Ohms | ± °C    | ± Ohms | ± °C    | ± Ohms |
| -100    | 0.8        | 0.32   | 0.35    | 0.14   | 0.27    | 0.11   |
| -50     | 0.55       | 0.22   | 0.25    | 0.1    | 0.19    | 0.08   |
| 0       | 0.3        | 0.12   | 0.15    | 0.06   | 0.1     | 0.04   |
| 100     | 0.8        | 0.3    | 0.35    | 0.13   | 0.27    | 0.1    |
| 200     | 1.3        | 0.48   | 0.55    | 0.2    | 0.44    | 0.16   |
| 300     | 1.8        | 0.64   | 0.75    | 0.27   | 0.6     | 0.21   |
| 400     | 2.3        | 0.79   | 0.95    | 0.33   | 0.77    | 0.26   |

Resistance values for Pt1000 (Ω) must be multiplied by 10 for the same corresponding temperature value (°C). For example: at 0°C for Class B Pt1000 ± 0,3°C → ± 1,2 Ω

\* Performed in laboratory conditions, the above accuracies mentioned in this document will be guaranteed, provided that you use the calibration compensation data or identical calibration conditions.

## ■ Accessories (See data sheet)

- Transmitter output 4-20 mA or 0/10V
- Wall mounting support
- Stainless steel mounting brackets
- 1/4, 1/2 gas screw nut
- Sliding connection
- Teflon or stainless steel ferrule for compression fitting



- Sleeve to weld for food industry (with 1/2" G female)
- Stainless steel junction fitting
- 1/2 gas or NPT thread cuff
- Thermo-conducting silicone grease
- Calibration certificate
- Thermowell



[www.kimo.fr](http://www.kimo.fr)

### EXPORT DEPARTMENT

Tel : + 33. 1. 60. 06. 69. 25 - Fax : + 33. 1. 60. 06. 69. 29

e-mail : [export@kimo.fr](mailto:export@kimo.fr)



Distributed by :

PRC Technologies Corp., Ltd.

Tel: 02 530 1714, 02 530 1619, 02 530 1621

Fax: 02 530 1731

Email: [info@prctechth.com](mailto:info@prctechth.com), [www.prctechth.com](http://www.prctechth.com)